

to protect your product, please read the operating instructions before opening the parasol

TUUCI | MAX cantilever with easy drive crank



assembly & operating instructions

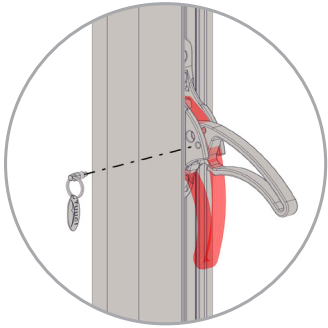
applies to:
ocean master MAX cantilever & plantation MAX cantilever

Step 1

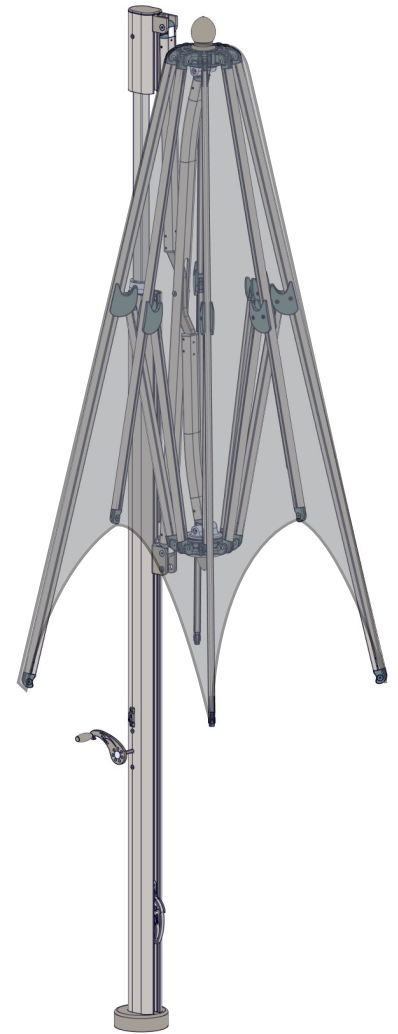
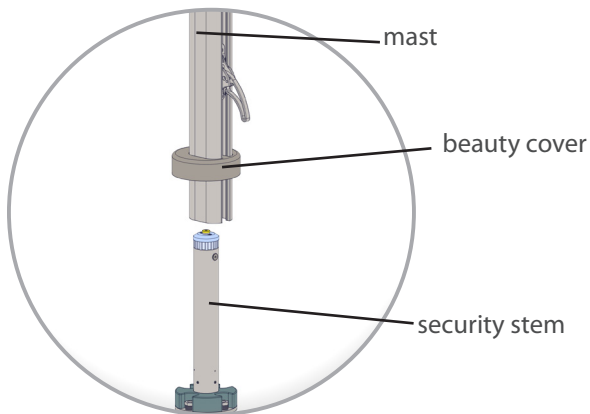
Remove all packaging from the umbrella, including inside the umbrella.

Step 2

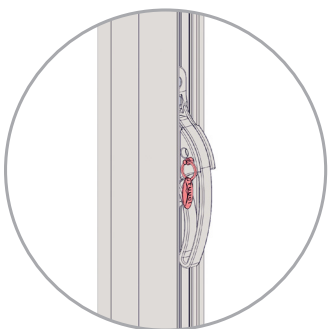
Pull the pin to unlock the cam lock handle. Open the cam lock handle.

**Step 3**

Once you have leveled the stem using the base installation instructions, slide the beauty cover and umbrella over the security stem as pictured/illustrated below (security stem is included with umbrella)

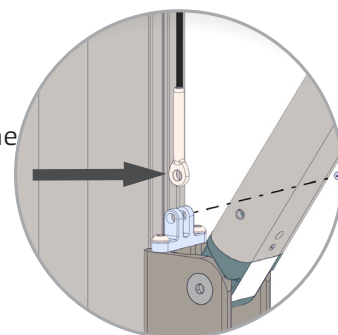
**Step 4**

Push cam lock handle down until it is locked into the security stem. Insert the pin into the lock handle.

**Step 5**

Connect the umbrella cable swedge eye to the cable bracket on top of the bottom trolley car using the provided security pin.

Note: If the cable does not have enough give to reach the bracket, insert the crank handle and turn counter clock-wise with the mast lock in the up position to release some of the cable (see step 7).

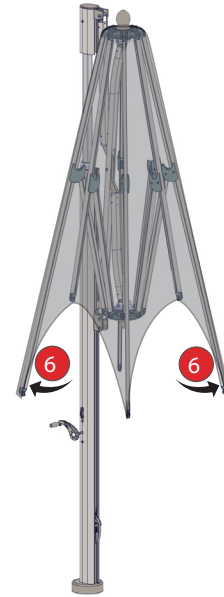
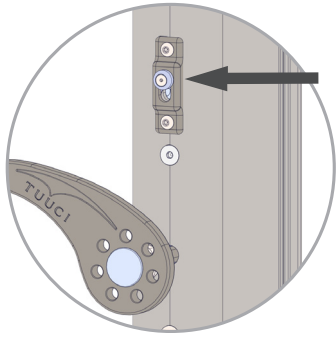


Step 6

Gently separate the ribs outward from the center by 10 inches, if you feel resistance, do not force, recheck the umbrella for packaging.

Step 7

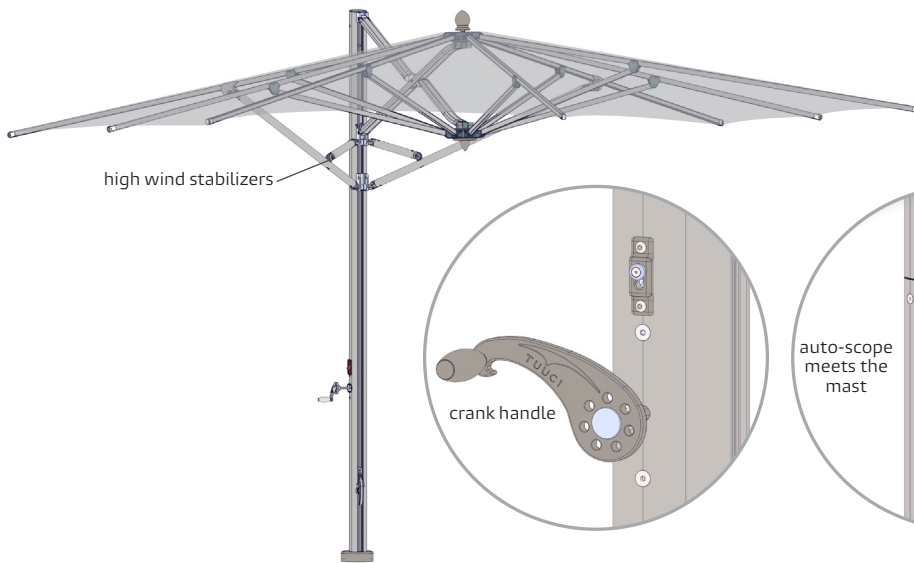
Set the mast lock in the open/up position



Step 8

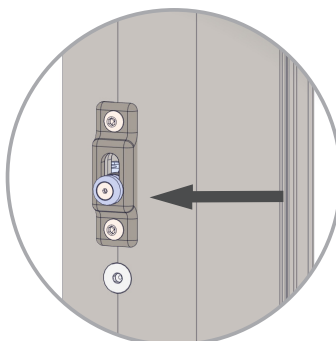
Insert the crank handle and turn clockwise to open the umbrella. You will know the umbrella is fully engaged when the auto-scope meets the mast (shown below).

Note: your umbrella may or may not come with high wind stabilizers



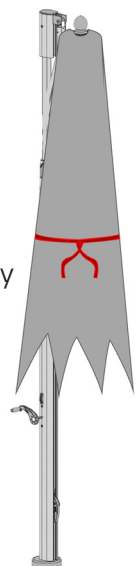
Step 9

Once fully open set the mast lock in the down/locked position and remove the crank handle when not in use



Step 10

To close the umbrella reverse steps 7-9. When not in use the canopy should be carefully folded and secured with the tie-strap.



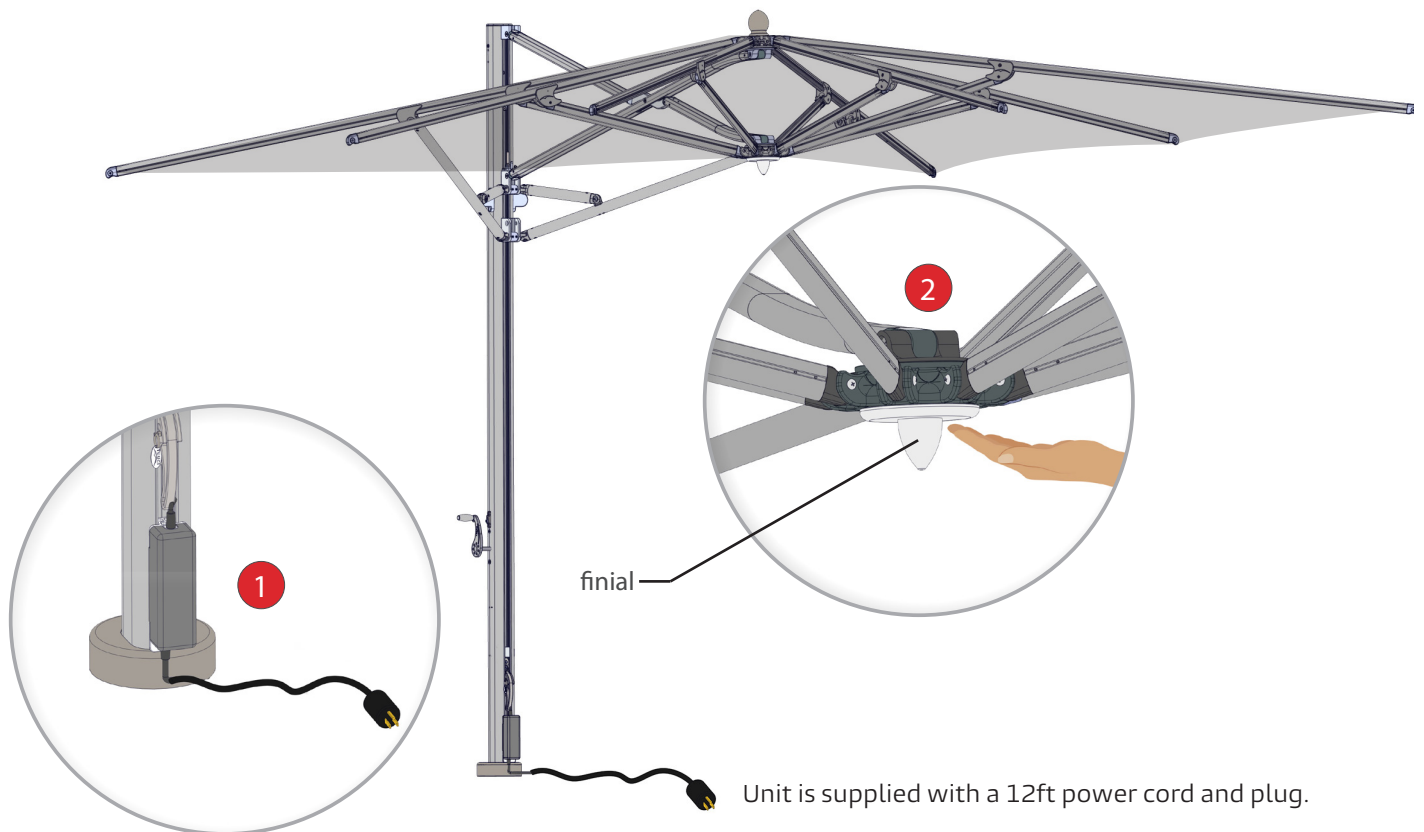
IF APPLICABLE - WITH LED LIGHT

Step 1

Connect the electrical cord to the outlet.

Step 2

Tap finial once to power on-off, or touch and hold for light dimming control.



LIGHTING SPECIFICATIONS

Input Voltage	90 - 305VAC
Input Current	0.6A / 115VAC 0.3A / 230VAC
Output Voltage	12 VDC
Output Power	40 Watts

TUUCI frames are constructed from durable, marine-grade, weather resistant materials including: fiberglass, armor-wall aluminum, Dura-TEAK composites, Aluma-TEAK aluminum and sustainable hardwood. All fasteners (nuts, bolts, pulleys, cam cleats, etc.) are marine-grade stainless steel and will withstand the most corrosive environments. Proper care and maintenance is important to extend the serviceable life of all TUUCI products. We recommend the following:

- Fresh water rinses once a week
- Weekly inspection of your TUUCI product is recommended. Loose screws should be tightened and any broken components replaced immediately to avoid further damage to your product.
- Prior to opening, ensure that the shade product is properly secured to an adequate shade anchor system.
- When opening a TUUCI parasol, separate each rib 10 inches from the center post, before raising the hub. Do not force hub if it does not rise easily.
- When closing the parasol, pull the fabric out from between the struts to avoid pinching or damaging the TUFF-SKIN canopy membrane.
- TUUCI recommends that all collapsible shade equipment be closed in wind conditions which exceed 25 MPH.
- Clean above ground parasol bases regularly to maintain appearance. To clean, gently wash with soap and water using a nonabrasive cloth or pad.
- Check bolts in security stem regularly to ensure that they remain fully tightened.
- Do not roll Aluma-crete (Aluminum Shell, Concrete Filled) bases on their side as damage to shell or finish can occur.
- Do not use on stairways or over distances which exceed 50 feet, as damage to welded wheel tray may occur.
- Canopy should be cleaned regularly and can be cleaned without being removed from the frame. Hose down and clean with a mild soap and lukewarm water (no more than 100° F) using a soft bristle brush. Rinse thoroughly to remove soap. Allow fabric to air dry. TUUCI Parts can be purchased at parts@tuuci.com.
- Do not use a pressure washer to clean canopes.